

FEED AND BIOFUEL
FILTER
TYPE EFF19WB

Filter of optimum design for efficient dust separation at low operating cost. Filter type EFF-WB is used for removal of dry dust, especially in large quantities, abrasive dust, or dust with low rates of fall. The product range consists of a fully automatic, continuously operating bag filter cleaned by compressed air and built in series, containing from 10 to

260 bags measuring 1,200 to 4,800 mm in length. Filter areas range from 4 to 470 m².

By combining the best, tested components with newly developed cleaning nozzles providing optimum flow, a hitherto unseen low energy consumption has been achieved for compressed air cleaning of filter bags.

The EFF filter is designed as insertable, cased or free-standing filters with cone or scraper bottom.

COMPRESSED AIR CLEANING OF FILTER BAGS

Optimum adjustment of cleaning pressure and -cycles to every specific job ensures efficient dust separation, low emissions, and long filter bag life.

ANDRITZ

ENGINEERED SUCCESS

FILTER MEDIA

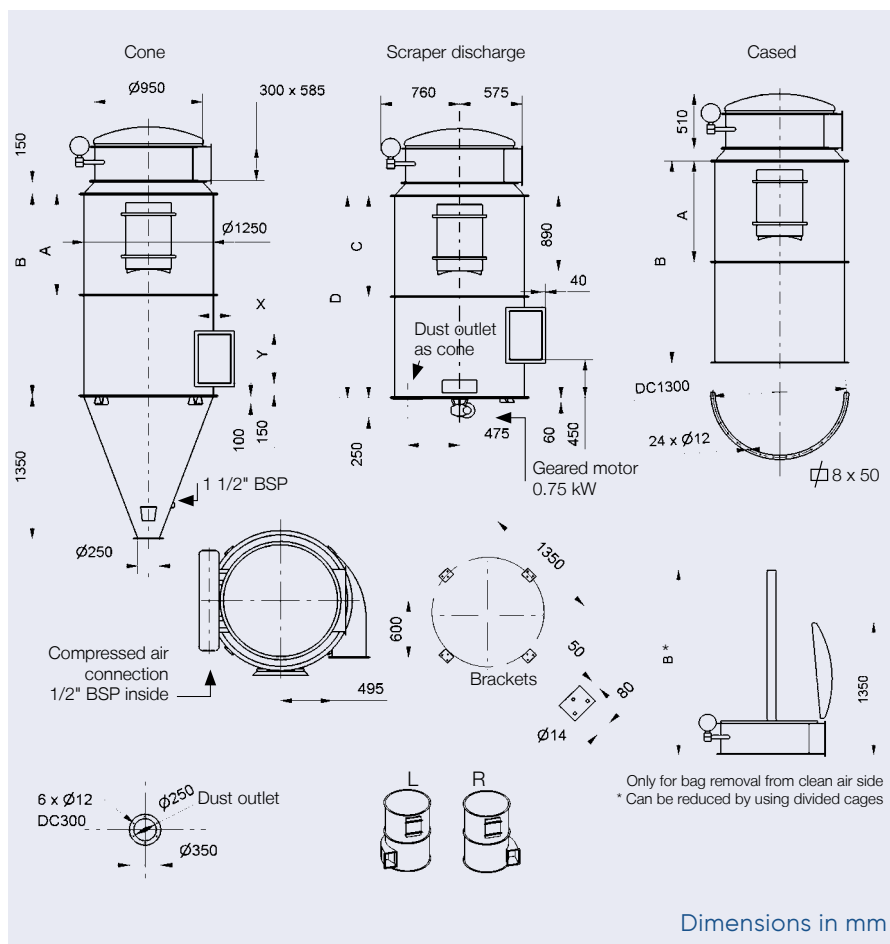
Top-quality filter media selected for specific applications based on requirements relating to service life, emissions, differential pressure, and so on.

FILTER BAG CHANGING

The filter bags can be changed either from the clean/the dusty air side.

ACCESSORIES AND SPECIAL EQUIPMENT

- Electronic controls with advanced functions and energy-saving Δp operation
- Emission metering equipment
- Rotary valves
- Manufactured in alternative steel qualities and with alternative surface treatment
- Platforms, ladders, supports, dust containers
- Insulation, heating
- Designed for high temperature and underpressure
- Explosion protection documented acc. to EN14491



Dimensions in mm

TECHNICAL DATA

Filter Type	Filter area m ²	Air flow m ³ /h	Dimensions mm				Compressed air NI/min *	Weight kg			
			A	B	C	D		Hopper	Total sep.	Cased Insertable	
19/1200	9	1600		1200		1500	35	530	580	395	200
19/1800	13	2400		1800		2100	35	610	655	460	210
19/2400	17	3100	2400	1200		2700	45	690	735	530	225

* at 180 sec. cycle

INLET DIMENSIONS

Air volume [m ³ /h]	X	Y
800 - 1400	130	210
1300 - 2300	210	210
2000 - 3700	210	335
2800 - 5000	210	460
4400 - 8000	335	460

ANDRITZ Feed and Biofuel A/S

andritz-fb.dk@andritz.com

p: +45 72 160 300 / andritz.com/ft



All data, information, statements, photographs and graphic illustrations in this leaflet are without any obligation and raise no liabilities to or form part of any sales contracts of ANDRITZ AG or any affiliates for equipment and/or systems referred to herein. © ANDRITZ AG 2021. All rights reserved. No part of this copyrighted work may be reproduced, modified or distributed in any form or by any means, or stored in any database or retrieval system, without the prior written permission of ANDRITZ AG or its affiliates. Due to legal requirements, we must inform you that ANDRITZ AG processes your data for the purposes informing you about the ANDRITZ GROUP and its activities. Find out more details about our data privacy declaration and your rights under the data protection legislation on our website: andritz.com/privacy. ANDRITZ AG, Stattegger Strasse 18, 8045 Graz, Austria.



1592 GB