

FEED AND BIOFUEL
FILTER
TYPE EFF30WB

Filter of optimum design for efficient dust separation at low operating cost. Filter type EFF-WB is used for removal of dry dust, especially in large quantities, abrasive dust, or dust with low rates of fall. The product range consists of a fully automatic, continuously operating bag filter cleaned by compressed air and built in series, containing from 10 to

260 bags measuring 1,200 to 4,800 mm in length. Filter areas range from 4 to 470 m².

By combining the best, tested components with newly developed cleaning nozzles providing optimum flow, a hitherto unseen low energy consumption has been achieved for compressed air cleaning of filter bags.

The EFF filter is designed as insertable, cased or free-standing filters with cone or scraper bottom.

COMPRESSED AIR CLEANING OF FILTER BAGS

Optimum adjustment of cleaning pressure and -cycles to every specific job ensures efficient dust separation, low emissions, and long filter bag life.

ANDRITZ

ENGINEERED SUCCESS

FILTER MEDIA

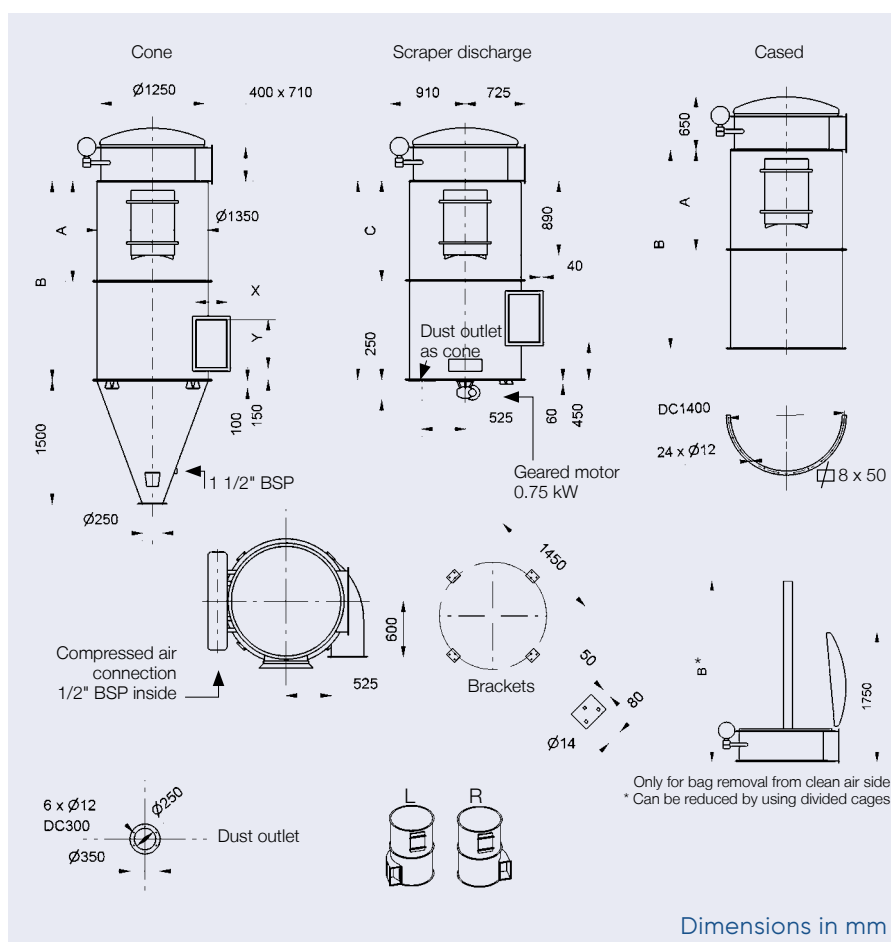
Top-quality filter media selected for specific applications based on requirements relating to service life, emissions, differential pressure, and so on.

FILTER BAG CHANGING

The filter bags can be changed either from the clean/the dusty air side.

ACCESSORIES AND SPECIAL EQUIPMENT

- Electronic controls with advanced functions and energy-saving Δp operation
- Emission metering equipment
- Rotary valves
- Manufactured in alternative steel qualities and with alternative surface treatment
- Platforms, ladders, supports, dust containers
- Insulation, heating
- Designed for high temperature and underpressure
- Explosion protection documented acc. to EN14491



TECHNICAL DATA

Filter Type	Filter area EFF m ²	Air flow m ³ /h	Dimensions mm				Compressed air NI/min *	Weight kg			
			A	B	C	D		Hopper	Total sep.	Cased Insertable	
30/1200	14	2100		1200		1500	55	625	670	455	290
30/1800	20	3700		1800		2100	55	715	765	535	310
30/2400	27	4900		2400	1200	2700	70	800	845	615	330
30/3000	34	6200	1500	3000	1500	3300	70	920	965	720	350

* at 180 sec. cycle

INLET DIMENSIONS

Air volume [m ³ /h]	X	Y
1300 - 2300	210	210
2000 - 3700	210	335
2800 - 5000	210	460
4400 - 8000	335	460
7700 -14000	460	585

ANDRITZ Feed and Biofuel A/S

andritz-fb.dk@andritz.com

p: +45 72 160 300 / andritz.com/ft



All data, information, statements, photographs and graphic illustrations in this leaflet are without any obligation and raise no liabilities to or form part of any sales contracts of ANDRITZ AG or any affiliates for equipment and/or systems referred to herein. © ANDRITZ AG 2021. All rights reserved. No part of this copyrighted work may be reproduced, modified or distributed in any form or by any means, or stored in any database or retrieval system, without the prior written permission of ANDRITZ AG or its affiliates. Due to legal requirements, we must inform you that ANDRITZ AG processes your data for the purposes informing you about the ANDRITZ GROUP and its activities. Find out more details about our data privacy declaration and your rights under the data protection legislation on our website: andritz.com/privacy. ANDRITZ AG, Stattegger Strasse 18, 8045 Graz, Austria.



1593 GB